

The KBH ST250 Seed Tender



Versatile bulk seed handling for:

- Soybeans
- Cotton
- Corn
- Wheat
- Rice

250 Cubic Feet/185 bushel capacity

Poly-cupped auger unload

Accommodates 36' planters and high-reach air seeders



(800) 843-5241

www.kbhequipment.com

The
KBH
CLARKSDALE • MS
Corporation

P.O. Box 670 • 395 Anderson Boulevard • Clarksdale, MS 38614

KBH ST250 Seed Tender



Bolt-on Hydraulic Pump

**CLEAN, EFFICIENT,
MAINTENANCE FRIENDLY
HYDRAULIC SYSTEM—
NO BELTS, PULLEYS
OR CLUTCHES!**



Direct Mount Hydraulic Motor

KBH ST250 Standard Specifications

— HOPPERS

- 250 cubic feet/185 bushels (soybeans)
- Two compartment
- 35 degree hopper slope
- Sight windows
- Roll tarp
- Ladder

— UNLOAD SYSTEM

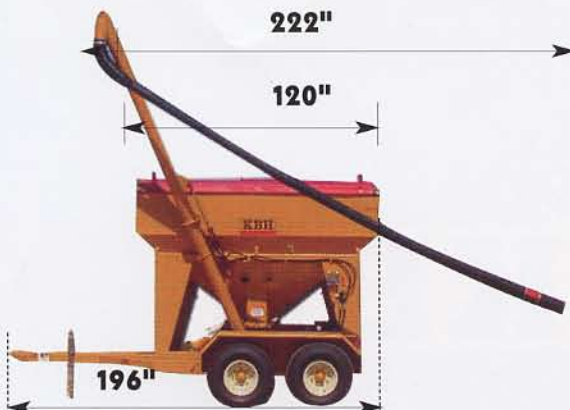
- Honda 5.5 HP engine with direct mounted pump (no belts/pulleys)
- 10 gallon hydraulic oil reservoir
- Direct mount hydraulic auger motor
- 6" tube with poly-cupped auger
- Hydraulic folding auger
- Telescoping flexible poly unload tube
- Wireless unload switch

— TRAILER

- Rubber torsion axles (20,000 lb. capacity)
- Goodyear 12.5 X 15 FI tires (high-speed/flotation)
- 15 X 8 – 8 hole rims
- Fenders
- Trailer lights
- 2-5/16" ball hitch or clevis
- Retractable tongue jack

— OPTIONAL

- Electric/hydraulic brakes - 13" drums-single or double axle
- 3' taller auger



The
KBH
CLARKSDALE • MS
Corporation

